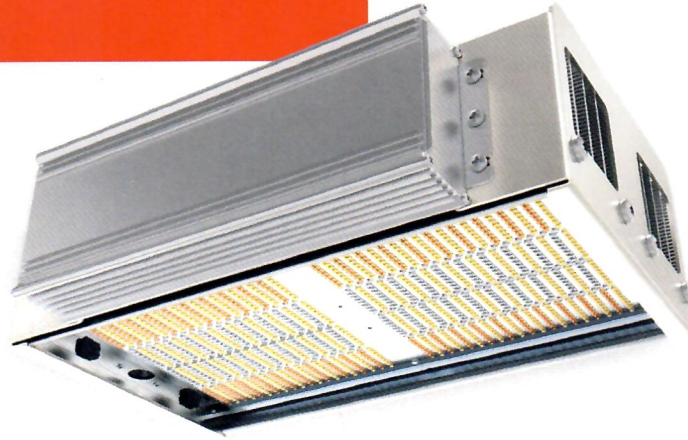


# RX325

## DataSheet



Up to 1000  $\mu\text{mol/s}$



Up to IP65 with dust & humidity resistant (wet location rated)



Tempered glass cover prevents pathogens buildup



Dimmable



Easy to install

Designed as a replacement for HID lighting, the RX-series is a high power, dimmable LED luminaire with a high IP rating (IP65 - wet location). The robust all aluminium build, passive cooling and tempered glass cover ensure a long lifetime in the most demanding of environments.

Spectrum	UV %	B %	G %	R %	FR %	PAR %	CCT	CRI	B:G	R:FR*	R:FR**	R:FR***
SolrayX	0	20	36	42	2	98	4625	95	0.76	37	40	26
Solray385	1	20	36	40	3	95	4650	93	0.7	14	15	13
S2*	0	9	13	77	1	99	2470	33	0.7	398	449	143

Typical values presented in the tables. \*Sellaro et al. (2010), \*\*Smith (1982), \*\*\*600-699/ 700-799 nm  
\*Preliminary values

The complete distributor list is available at: [www.valoya.com/distributors](http://www.valoya.com/distributors)



[www.valoya.com](http://www.valoya.com)

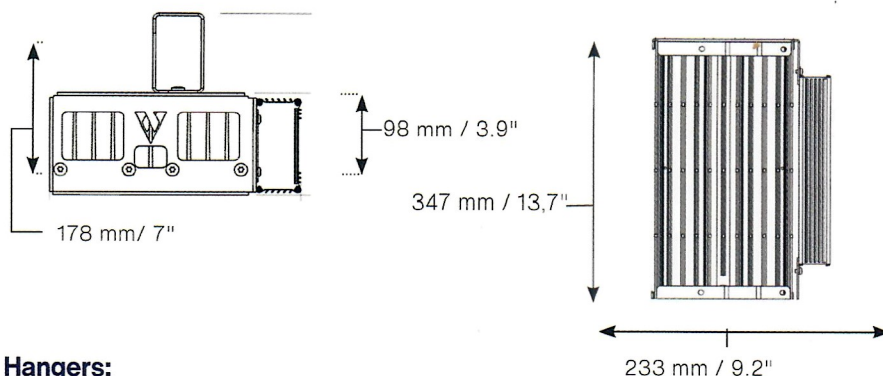


[sales@valoya.com](mailto:sales@valoya.com)



+358 10 2350 300

## Dimension



## Accessories



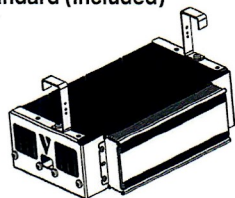
Dimming mating connector with 1.9 m (6') pigtail cable (field installable)



Mains input mating connector with 1.9 m (6') pigtail cable (field installable)

## Hangers:

Standard (included)



Technical Specification	Power input, LED driver incl. (W)	Input voltage (VAC), nominal	Input current @230V (A)	Dimming	Spectra available
<b>RX325</b>	330	200-480	1.5	0-10 V	SolrayX, Solray385, S2

Technical Specification	Weight (kg/lb)	Box weight (kg/lb)	Box length (mm/in)	Box width (mm/in)	Box height (mm/in)	IP	IK
<b>RX325</b>	5.8/ 12.8	6.5 / 28.2	460 / 18.1	370 / 14.6	12.8 / 28.2	65	03

<b>RX325</b>	SolrayX	Solray385	S2	<b>RX325</b>	SolrayX	Solray385	S2
<b>Efficacy (μmol/J)</b>	2,7	2,6	>3	<b>Order code</b>	1Rx32574	1RX32572	1Rx32594
<b>PF (μmol/s)</b>	900	870	>1000				

Power factor: > 0.95

Distance from the plants (rec.): 0,5 - 4,0 m / 20" - 13.1'

Cooling: Passive

Ambient operating temperature (°C/°F): -10...+40 / +14...+104

Minimum cable bending radius: 5x cable diameter

Photobiology safety classification: Risk Group 1

Pieces per package: 01 piece

Frequency: 50/ 60 Hz

Distance from flammable surface: 0,3 m / 11.8"

AC mains plug fitted: No (Field installable connector)

Storage temperature (°C/°F): -20...+40 / -4...+104

Maximum relative humidity: 90% (non-condensing)

Light intensity decay: 50 000 h (SolrayX, S2). 36 000 h (others)

Warranty: Up to 5 years limited. More at [www.valoya.com/warranty](http://www.valoya.com/warranty)

All values presented are nominal. Tolerances apply.

